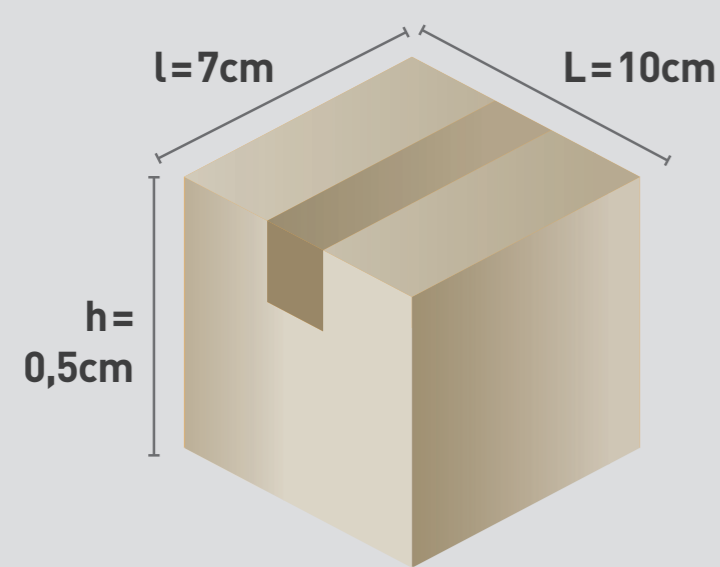
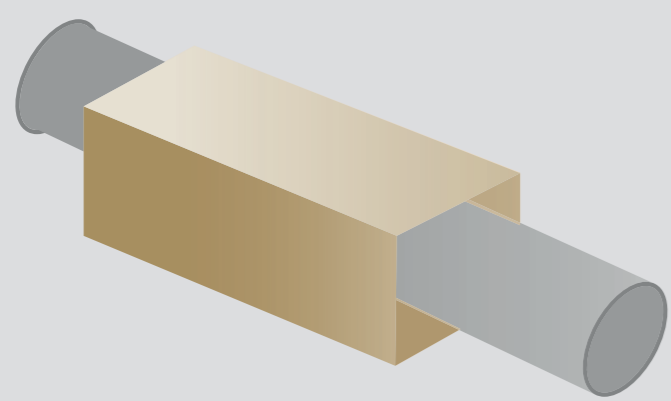


# PACKAGING

DURABLE, AND WELL MADE PACKAGINGS.

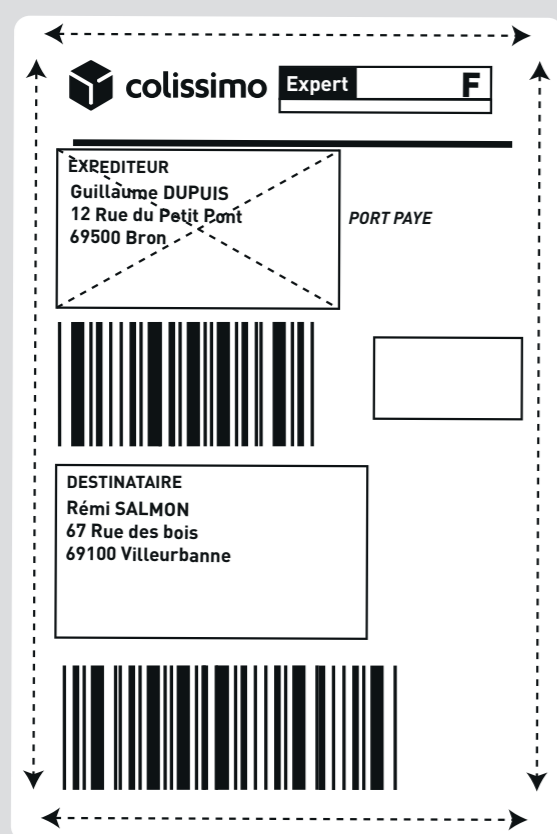


- **All the products must be wrapped.**
- Respect the following dimensions:  
**Max:  $L + W + H < 150$  cm;  $L < 100$  cm**  
**Min:  $L = 10$  cm;  $W = 7$  cm;  $H = 0,5$  cm.**
- A parcel between 150 cm and 200 cm or less than the minimum dimensions must be declared as outsize on your postage tool. Parcels over 200 cm are not allowed.
- **Use durable materials:** which do not impede the legibility of the label such as shiny plastic or cellophane.
- **To send cylindrical items:** use machine-friendly tubes (triangular or square protective tubes).
- **Make sure the parcel is stable:** wedge, fill, distribute the weight to stop it falling over.
- **Respect the minimum weight:** use all of the first weight bracket to make the parcel heavier if necessary and ensure that it is delivered correctly.



# LABEL

WELL POSITIONED LABELS  
WITH COMPLETELY LEGIBLE BARCODES.



- One shipping label per parcel.
- Respect the minimum dimensions:  
 **$L = 16$  cm ;  $W = 11$  cm.**
- **Correctly printed label:** clean, without smudges or deletions, on paper which doesn't absorb water, label must be entirely contained within the borders of the paper.
- **Label positioned on one side of the parcel only:** the biggest side. Do not fold the label, do not let it overlap the edge.

# WHAT NOT TO DO



**Do not leave anything on the outside of the parcel:** avoid string, flaps, handles, etc.



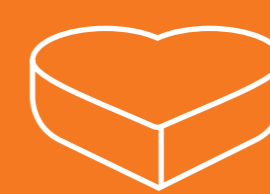
**You must not group parcels together** using string or strapping bands, etc.



**Avoid loose strapping bands.**



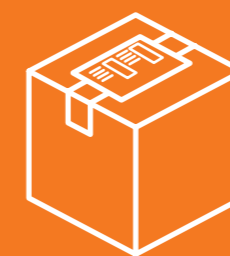
**Unwrapped goods** are not accepted.



**Avoid complex shapes** even when wrapped.



**Do not glue the label:**  
> Over two flaps on the parcel  
> On an adhesive ribbon or tape  
> Over string or strapping bands.



**Do not use the label** to close the parcel.



**Do not cover the label with sticky tape,** strapping bands, string, or another label - even if only partially.



**Do not use a plastic sheet or wallet** which can stop the barcode from being read.



# colissimo

To pack



To ship



To satisfy



BEST PRACTICES

# Parcel preparation tips



LA POSTE  
SOLUTIONS BUSINESS